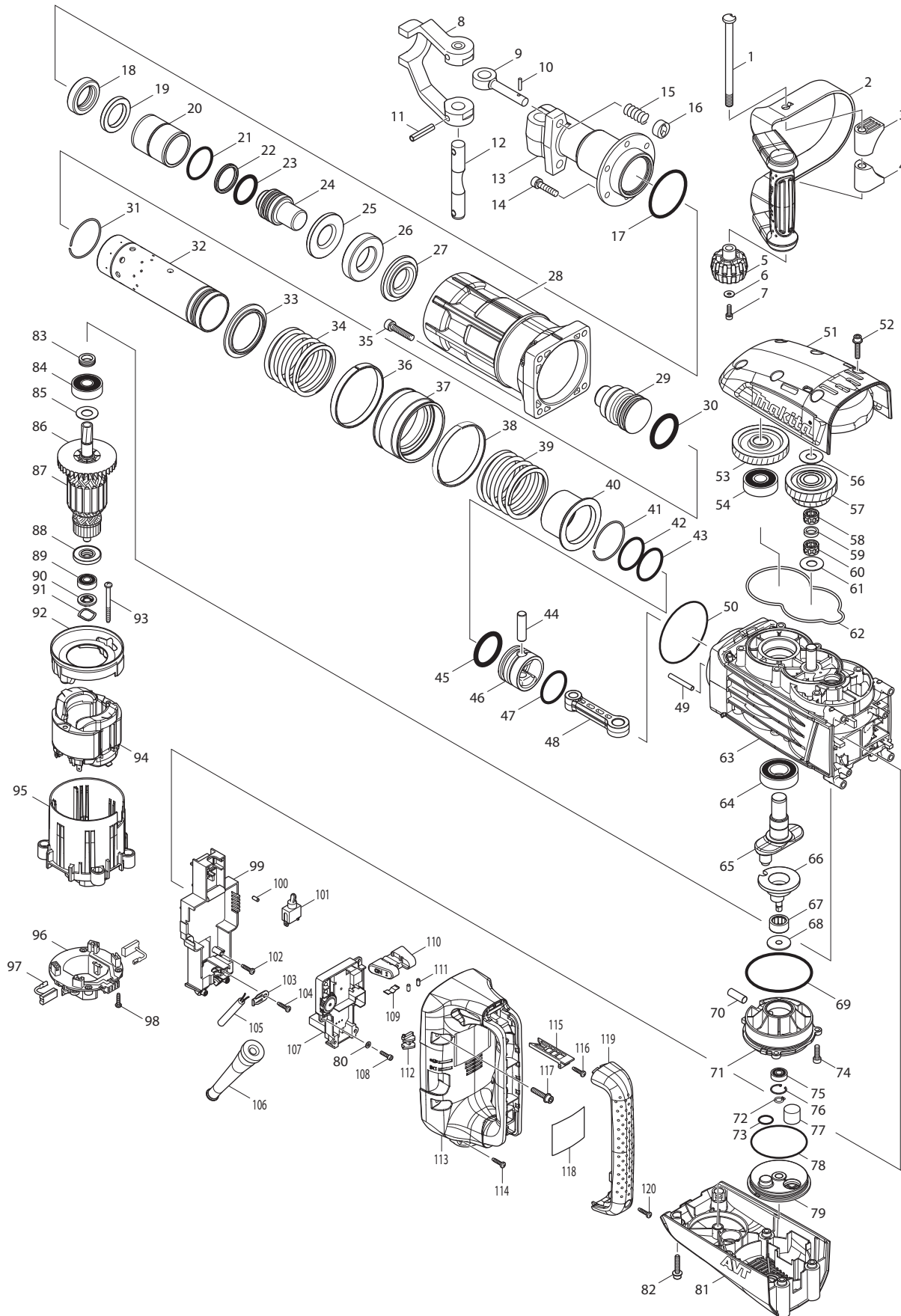




09 - 2010
HM1317CB
DEMOLITION HAMMER



| Item No | Type | Ref | Part No | Description (*See Service Changes) | Qty | Unit |
|---------|------|-----|----------|------------------------------------|-----|------|
| 001 | | | 266512-5 | SET BOLT M10X142 | 1 | PC. |
| 002 | | | 163506-0 | SIDE HANDLE | 1 | PC. |
| 003 | | | 451331-4 | HANDLE BASE | 1 | PC. |
| 004 | | | 451331-4 | HANDLE BASE | 1 | PC. |
| 005 | | | 252654-1 | THUMB NUT M10 | 1 | PC. |
| 006 | | | 253194-2 | FLAT WASHER 5 | 1 | PC. |
| 007 | | | 922221-3 | HEX. SOCKET HEAD BOLT M5X16 | 1 | PC. |
| 008 | | | 325895-3 | TOOL RETAINER | 1 | PC. |
| 009 | | | 322477-2 | TOOL RETAINER POLE | 2 | PC. |
| 010 | | | 256219-1 | PIN 4 | 2 | PC. |
| 011 | | | 951272-9 | SPRING PIN 8-40 | 2 | PC. |
| 012 | | | 324238-6 | TOOL RETAINER SHAFT | 1 | PC. |
| 013 | | | 331872-5 | TOOL HOLDER | 1 | PC. |
| 014 | | | 266011-7 | HEX. SOCKET HEAD BOLT M8X35 | 6 | PC. |
| 015 | | | 233083-7 | COMPRESSION SPRING 12 | 2 | PC. |
| 016 | | | 322560-5 | RETAINER RING | 2 | PC. |
| 017 | | | 213720-9 | O RING 67 | 1 | PC. |
| 018 | | | 262151-9 | URETHAN RING 32 | 1 | PC. |
| 019 | | | 257301-9 | RING 35 | 1 | PC. |
| 020 | | | 257788-5 | SLEEVE 43 | 1 | PC. |
| 021 | | | 213569-7 | O RING 45 | 1 | PC. |
| 022 | | | 213192-8 | X-RING 36 | 1 | PC. |
| 023 | | | 213150-4 | O-RING 36 | 1 | PC. |
| 024 | | | 325687-0 | IMPACT BOLT | 1 | PC. |
| 025 | | | 325683-8 | WASHER 30 | 1 | PC. |
| 026 | | | 424206-0 | RUBBER RING 36 | 1 | PC. |
| 027 | | | 325684-6 | SHOULDER RING 32 | 1 | PC. |
| 028 | | | 318458-2 | BARREL | 1 | PC. |
| 029 | | | 325685-4 | STRIKER | 1 | PC. |
| 030 | | | 213193-6 | O-RING 42 | 1 | PC. |
| 031 | | | 233977-6 | RING SPRING 55 | 1 | PC. |
| 032 | | | 331870-9 | CYLINDER 52 | 1 | PC. |
| 033 | | | 451168-9 | SHOULDER SLEEVE | 1 | PC. |
| 034 | | | 234111-1 | COMPRESSION SPRING 66 | 1 | PC. |
| 035 | | | 265367-5 | HEX. SOCKET HEAD BOLT M8X40 | 4 | PC. |
| 036 | | | 451169-7 | WEIGHT GUIDE | 1 | PC. |
| 037 | | | 331867-8 | COUNTER WEIGHT | 1 | PC. |
| 038 | | | 451169-7 | WEIGHT GUIDE | 1 | PC. |
| 039 | | | 234111-1 | COMPRESSION SPRING 66 | 1 | PC. |
| 040 | | | 331868-6 | SLIDE SLEEVE | 1 | PC. |
| 041 | | | 233977-6 | RING SPRING 55 | 1 | PC. |
| 042 | | | 213569-7 | O RING 45 | 1 | PC. |
| 043 | | | 213569-7 | O RING 45 | 1 | PC. |
| 044 | | | 256238-7 | PIN 12 | 1 | PC. |
| 045 | | | 213193-6 | O-RING 42 | 1 | PC. |
| 046 | | | 318459-0 | PISTON | 1 | PC. |
| 047 | | | 213569-7 | O RING 45 | 1 | PC. |
| 048 | | | 451164-7 | CONNECTING ROD | 1 | PC. |
| 049 | | | 268241-6 | PIN 6 | 1 | PC. |
| 050 | | | 213806-9 | O RING 90 | 1 | PC. |
| 051 | | | 318462-1 | GEAR COVER | 1 | PC. |
| 052 | | | 266499-1 | H.S HEAD BOLT M6X30 WITH GM | 6 | PC. |
| 053 | | | 227709-1 | HELICAL GEAR 47 | 1 | PC. |

| Item No | Type | Ref | Part No | Description (*See Service Changes) | Qty | Unit |
|---------|------|------|----------|------------------------------------|-----|------|
| 054 | | | 211306-3 | BALL BEARING 6204LLB | 1 | PC. |
| 056 | | | 267166-1 | FLAT WASHER 14 | 1 | PC. |
| 057 | | | 226156-3 | GEAR COMPLETE 31-43 | 1 | PC. |
| 058 | | | 212159-3 | NEEDLE CAGE 1412 | 1 | PC. |
| 059 | | | 262157-7 | NYLON RING 14 | 1 | PC. |
| 060 | | | 212159-3 | NEEDLE CAGE 1412 | 1 | PC. |
| 061 | | | 267166-1 | FLAT WASHER 14 | 1 | PC. |
| 062 | | | 424207-8 | SEAL RING | 1 | PC. |
| 063 | | | 140056-2 | CRANK HOUSING COMPLETE | 1 | PC. |
| 064 | | | 211373-8 | BALL BEARING 6205LLU | 1 | PC. |
| 065 | | | 331871-7 | CRANK SHAFT | 1 | PC. |
| 066 | | | 331869-4 | COUNTER SHAFT | 1 | PC. |
| 067 | | | 212264-6 | NEEDLE ROLLER BEARING 1813 | 1 | PC. |
| 068 | | | 325686-2 | SHOULDER WASHER 8 | 1 | PC. |
| 069 | | | 213809-3 | O RING 87 | 1 | PC. |
| 070 | | | 268240-8 | PIN 10 | 1 | PC. |
| 071 | | | 140057-0 | BEARING BOX COMPLETE | 1 | PC. |
| 072 | | | 961004-6 | RETAINING RING S-8 | 1 | PC. |
| 073 | | | 213261-5 | O RING 17 | 1 | PC. |
| 074 | | | 265844-7 | HEX. SOCKET HEAD BOLT M6X20 | 3 | PC. |
| 075 | 1 | | 211032-4 | BALL BEARING 608ZZ | 1 | PC. |
| | 2 | | 210223-4 | BALL BEARING 608ZZ | 1 | PC. |
| 076 | | | 962112-6 | RETAINING RING R-22 | 1 | PC. |
| 077 | | | 443127-7 | FILTER | 1 | PC. |
| 078 | | | 213758-4 | O RING 74 | 1 | PC. |
| 079 | | | 451166-3 | CRANK CAP COVER | 1 | PC. |
| 081 | | | 451167-1 | REAR COVER | 1 | PC. |
| 082 | | | 266499-1 | H.S HEAD BOLT M6X30 WITH GM | 6 | PC. |
| 083 | | | 331855-5 | SEALING SCREW | 1 | PC. |
| 084 | | | 211249-9 | BALL BEARING 6302LLU | 1 | PC. |
| 085 | | | 267397-2 | FLAT WASHER 15 | 1 | PC. |
| 086 | | | 240003-4 | FAN 80 | 1 | PC. |
| 087 | | | 517785-6 | ARMATURE ASSEMBLY 100-115V | 1 | PC. |
| | | INC. | | Item No. 84-86, 88, 89 | | |
| 088 | | | 681642-5 | INSULATION WASHER | 1 | PC. |
| 089 | | | 210059-1 | BALL BEARING 6000DDW | 1 | PC. |
| 090 | | | 451107-9 | WASHER GUIDE | 1 | PC. |
| 091 | | | 267809-5 | WAVE WASHER 19 | 1 | PC. |
| 092 | | | 451111-8 | BAFFLE PLATE | 1 | PC. |
| 093 | | | 266044-2 | TAPPING SCREW 5X60 | 2 | PC. |
| 094 | | | 636331-7 | FIELD 115V | 1 | PC. |
| 095 | | | 451117-6 | MOTOR HOUSING | 1 | PC. |
| 096 | 2 | | 632D00-2 | * BRUSH HOLDER UNIT | 1 | PC. |
| 097 | 2 | | 195845-0 | CARBON BRUSH CB-175, 2PC/SET | 1 | SET |
| 098 | | | 265995-6 | TAPPING SCREW 4X18 | 4 | PC. |
| 099 | | | 158986-3 | * CONTROLLER COVER COMPLETE | 1 | PC. |
| 100 | | | 263027-3 | RUBBER PIN 4 | 1 | PC. |
| 101 | | | 651423-1 | SWITCH, SINGLE | 1 | PC. |
| 102 | | | 265995-6 | * TAPPING SCREW 4X18 | 2 | PC. |
| 103 | | | 687683-9 | STRAIN RELIEF | 1 | PC. |
| 104 | | | 265995-6 | TAPPING SCREW 4X18 | 1 | PC. |
| 105 | | | 664290-5 | CORD W/PLUG 2P-14-5.0M | 1 | PC. |
| 106 | | | 682578-1 | CORD GUARD | 1 | PC. |

| Item No | Type | Ref | Part No | Description (*See Service Changes) | Qty | Unit |
|---------|------|-----|----------|---------------------------------------|-----|------|
| 107 | 2 | | 620229-8 | * CONTROLLER | 1 | PC. |
| 108 | 2 | | 266834-3 | * HEX. SOCKET HEAD BOLT M4X18 WITH GM | 2 | PC. |
| 109 | | | 232209-8 | LEAF SPRING | 1 | PC. |
| 110 | | | 451112-6 | SLIDE LEVER | 1 | PC. |
| 111 | | | 263027-3 | RUBBER PIN 4 | 2 | PC. |
| 112 | | | 451105-3 | LENS | 1 | PC. |
| 113 | | | 451118-4 | HANDLE | 1 | PC. |
| 114 | | | 265995-6 | TAPPING SCREW 4X18 | 1 | PC. |
| 115 | | | 451106-1 | SWITCH LEVER | 1 | PC. |
| 116 | | | 265995-6 | TAPPING SCREW 4X18 | 1 | PC. |
| 117 | | | 266499-1 | H.S HEAD BOLT M6X30 WITH GM | 4 | PC. |
| 118 | | | 867310-6 | HM1317CB NAME PLATE | 1 | PC. |
| 119 | | | 451119-2 | HANDLE COVER | 1 | PC. |
| 120 | | | 265995-6 | TAPPING SCREW 4X18 | 2 | PC. |
| 200 | | | 652008-6 | PAN HEAD SCREW M3.5X7 | 2 | PC. |
| 300 | | | 870499-1 | CARTON F/HM1317CB | 1 | PC. |

ACCESSORIES

- See Catalogue or Visit www.makita.ca for optional accessory -

| | | | | | | |
|-----|--|------|----------|---|---|-----|
| A01 | | | 751420-A | 20" MOIL POINT 1-1/8" HEX | 1 | PC. |
| A02 | | | 824897-1 | PLASTIC CARRYING CASE | 1 | PC. |
| | | INC. | 162271-8 | LATCH | 2 | PC. |
| A03 | | | A-90582 | HAMMER GREASE 30CC | 1 | PC. |
| A04 | | | 195103-4 | HAMMER SERVICE KIT | 1 | PC. |
| | | INC. | 181490-7 | HAMMER GREASE 30G (Use A-90582 for replacement) | 2 | PC. |
| | | INC. | 195845-0 | CARBON BRUSH CB-175, 2PC/SET | 1 | SET |
| | | INC. | 213150-4 | O RING 36 | 1 | PC. |
| | | INC. | 213192-8 | X RING 36 | 1 | PC. |
| | | INC. | 213193-6 | O RING 42 | 2 | PC. |
| | | INC. | 213569-7 | O RING 45 | 1 | PC. |
| A05 | | | 751106-A | TENT STAKE DRIVER 2-1/2"X5-1/2 | 1 | PC. |

SERVICE CHANGES

1. Changes on Controller

(T/I# 91793)

(T/I# 93668)

(T/I# 99132)

| Item No. | Description | Type 1 | Type 2 | Type 3 | Type 4 |
|----------|-----------------------|-----------------------------|-------------------------------|----------------|----------|
| 80 | Flat washer / Plate | 941051-3 (Flat washer) | 346546-5 (Plate) | | Removed |
| 108 | H.S.H Bolt | 265490-6 (Torque 1-2N.m) | 265490-6 (Torque 1-1.2N.m) | | 266834-3 |
| 122 | Controller Assy | ---- | 126091-4 | 141799-9 (N/A) | Removed |
| 99 | Controller Cover Com. | 158986-3 | | | |
| 107 | Controller | 631919-8 | | | |
| 102 | Tapping Screw | 265995-6 | | | |
| 121 | Adhesive Tape | ----- | 442180-0 | | Removed |

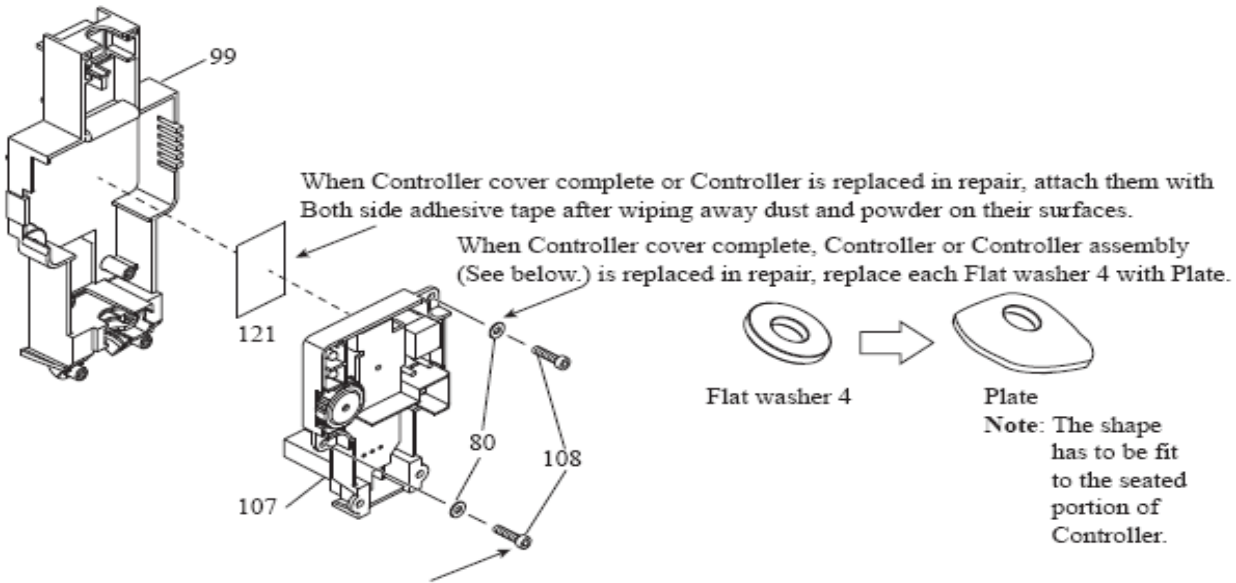
Type 1 , Type 2: Item No. 80, 108 and 122 are completely interchangeable as a set.

Type 2: No. 99, 107, 102, 121 is component of No. 122 Controller Assy

Type 2, Type 3: Item no. No. 122, 107, 121, 080, 108 above are completely interchangeable as a set

After Dec 2012 production

Type 1 > Type 2



Fastening torque of M4x16 Hex. socket head bolt (Part No. 265490-6 thread locker type) has been changed from 1 up to 2N.m to 1 up to 1.2N.m.

Too overtightening of the bolt causes the damage to Controller of plastic, therefore follow the fastening torque.

Once loosening the bolt, be sure to use the new makita genuine bolt 265490-6 or put ThreeBond 1342/ Loctite 242 on the thread then tighten the bolt.

For easier repairing, Controller assembly (#126091-4) has become available.

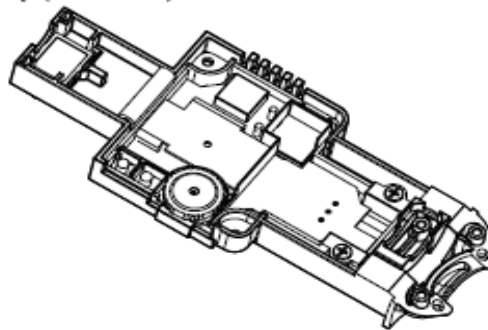
Components:

158986-3 Controller cover complete

631919-8 Controller

442180-0 Both side adhesive tape

265995-6 4x18 Tapping screw (2pc)



Type 2> Type 3

Plate: 2 pcs.
(130 for HM1214C)
(80 for the others)

M4x16 Hex socket head bolt: 2 pcs. (108)

L=3.0 mm thick

Controller cover complete (99)

Both side adhesive tape (131 for HM1214C) (121 for the others)

Controller (107)

Controller assembly (132 for HM1214C) (122 for the others)

| Item No. | Description |
|-------------|-----------------------------|
| (122) (132) | Controller assembly |
| (99) | * Controller cover complete |
| (80) (130) | Plate |
| (107) | * Controller |
| (108) | Hex socket head bolt M4x16 |
| (121) (131) | * Both side adhesive tape |

*The components of Controller assembly

M4x18 Hex socket head bolt with GM: 2 pcs. (108)

L=4.0 mm thick

Controller cover complete (99)

Controller (107)

| Item No. | Description |
|----------|------------------------------------|
| (99) | Controller cover complete |
| (107) | Controller |
| (108) | Hex socket head bolt M4x18 with GM |

2. Changes on Brush Holder Unit (TI#A4072)

| Item No. | Description | Type 1 | Type 2 |
|----------|-------------------|----------|----------|
| 96 | BRUSH HOLDER UNIT | 638447-4 | 632D00-2 |

Type 1

Type 2

